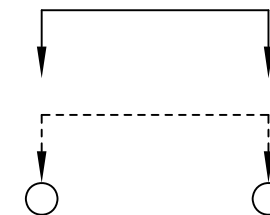
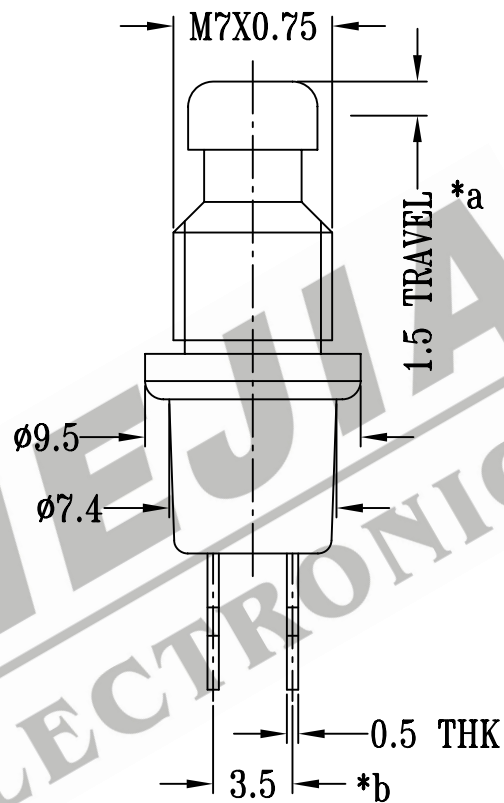
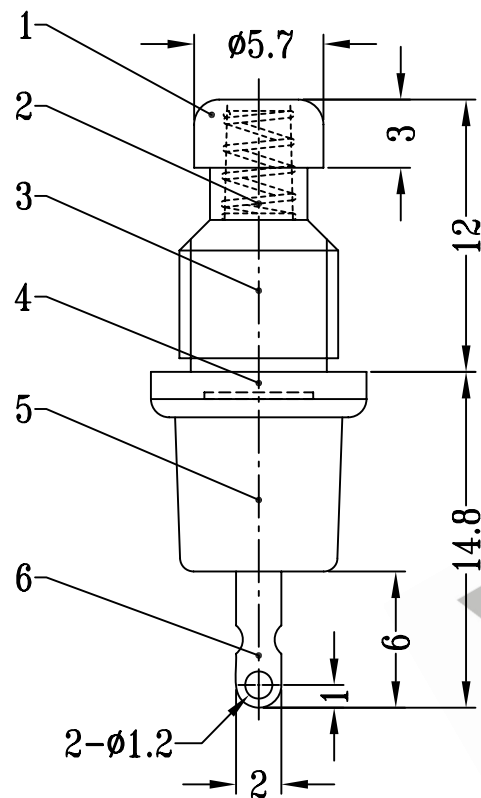
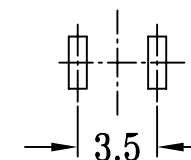


CAD FILE:



SCHMATIC



P.C.B LAYOUT

注:带"\*"表示关键尺寸(2个)

8					TOLERANCE	SHENZHEN XIEJIA ELECTRONICS CO.,LTD.				
7					UNLESS SPECIFIED					
6	TERMINAL	BRASS STRIP	2	Ag PLATED OVER Ni PLATED	WITHIN: 1.5±0.1mm	ISSUE	DATE	DESCRIPTIONS		APPD.
5	CASE	PC	1	BLACK	OVER : 1.5±0.2mm					
4	CONTACT	BRASS	1	Ag PLATED	TITLE : VERTICAL PUSH SWITCH		UNIT : MM	DRWG NO.: XJ-DR-PB11C03-00		
3	FRAME	BRASS	1	Ni PLATED	MODEL: PB-11C03		SCALE: 3:1	DWN.	ZHOUYU	2002-10-8
2	SPRING	STAINLESS STEEL	1	TEMPER	ALL MATERIALS MUST BE COMPLIANT TO ROHS			CHK'D	FANGYING	2002-10-8
1	KNOB	PC	1	BLACK/RED				APPD.	KANGXINAN	2002-10-8
NO.	PART NAME	MATERIAL	Q'TY	FINISHING						